

GENERAL FEATURES

- TORK series PL1030 compression fittings pulse valves are 2/2 way normally closed.
- Suitable for air
- G 3/4", G 1", G1 1/2" connection
- The pulse valves are especially designed for dust collector service application or similar systems
- Compact design, high reliability, flow rate, quality and performance; long life .
- Extremely fast opening and closing
- Working Temperature:-20°C...80°C
- Minimum operating differential pressure 0,5 bar
- On request; with electronic timer
- Some application; dust filters, bunkers, dust extractors, electrostatic painting cabinets
- Coils interchangeable
- Flow factor Kv of each valve is indicated, so that the flow Q can be calculated as a function of pressure
- Pulse valves must be used with filtered fluids.
- Pulse valve can be mounted in any position without affecting operation; vertical with coil upwards preferred.

ELECTRICAL CHARACTERISTICS

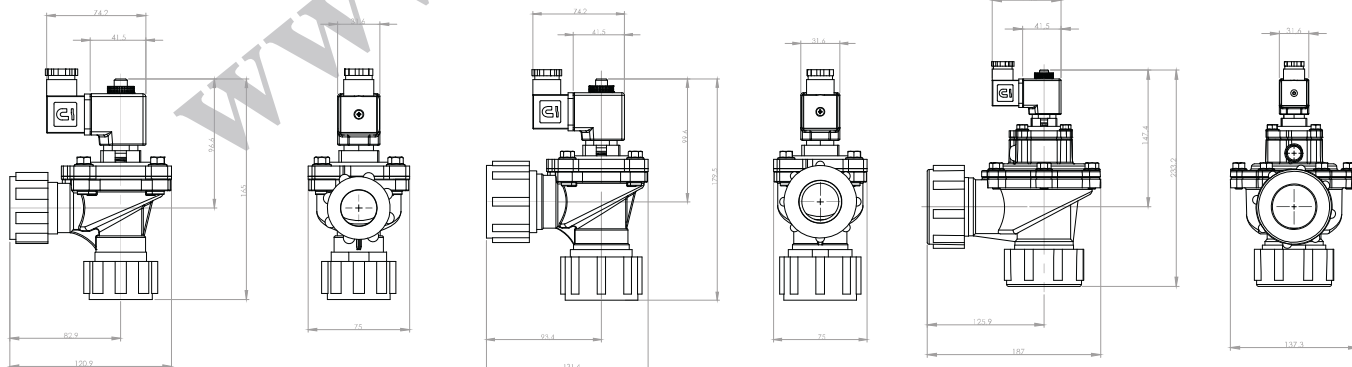
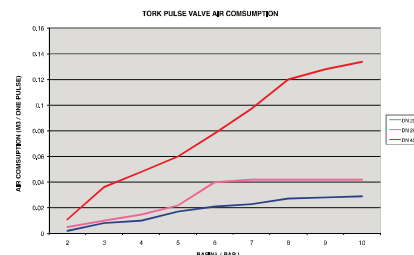
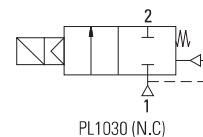
- Continuous Duty : ED %100
- Coil Insulation Class : H (180°C)
- Coil Impregnation : Polyester Fiber Glass
- Coil Encapsulation Material : Fiber Glass Reinforced
- Ambient Temperature : from -20°C...80°C
- Protection Degree : IP 65 (EN 60529) with coil duly fitted with the plug conn
- Electric Plug Connection : DIN 46340 3-poles connectors (DIN 43650)
- Connector Specification : ISO 4400 / EN 175301-803, Form A, Spade plug (Cable !
- Electrical Safety : IEC 335
- Standard Voltages : For AC 12V, 24V, 48V, 110V, 230V
For DC 12V, 24V, 48V, 110 V

- Other voltages on request;
- Voltage Tolerances : ±10%
- Frequency : 50 / 60 Hz
- On request; connector with LED
- Specify coil voltage with order

MATERIALS IN CONTACT WITH FLUID

- Body : Die Cast Aluminium
- Internal Parts : Stainless Steel and brass
- Sealing : NBR
- Shading Ring : Copper
- Seats : Aluminium
- Core Tube : Stainless Steel
- Springs : Stainless Steel

Normally Closed



Valve Type / Order no	Connection Size	Orifice size	Pressure		KV	Fluid Temperature		Seal	Weight
			min	max		min	max		
PL1030	G	mm	bar	bar	lt/min	min	max		(kg)
PL1030.04	3/4" - 3/4"	20	0.5	8	150	-20	80	NBR	0.95
PL1030.05	1" - 1"	25	0.5	8	270	-20	80	NBR	1.29
PL1030.07	1 1/2" - 1 1/2"	44	0.5	8	774	-20	80	NBR	2.03